

WOODWORKING MOTORS

General Specifications:

Motors designed for woodworking equipment such as table saws, planers, etc.

Totally enclosed designs prevent motor problems caused by wood dust and shavings.



SINGLE PHASE • TEFC • RIGID BASE

HP	RPM 60 Hz	NEMA Frame	Catalogue Number	List Price	Disc. Sym.	App. Wgt. (lbs.)	Voltage	Over- load Prot.	F.L. Amps 230V	"C" Dim. (in.)
3/4	3450	56	110108	\$370	A	28	115/208-230	Man.	5.0	11.31
1	3450	56	110142	380	A	30	115/208-230	Man.	6.0	11.81
1½	3450	56	110109	424	A	34	115/208-230	Man.	8.5	12.31
2	3450	56H	110402-□†	527	A	44	115/208-230	Man.	10.0	13.31
	3450	145T	120395-♦†	551	B	44	115/230	Man.	10.0	13.75
3	3450	145T	120341-☆†	642	B	48	230	None	14.0	13.75

SINGLE PHASE • TEFC • C FACE LESS BASE

HP	RPM 60 Hz	NEMA Frame	Catalogue Number	List Price	Disc. Sym.	App. Wgt. (lbs.)	Voltage	Over- load Prot.	F.L. Amps 230V	"C" Dim. (in.)
3	3450	145TC	120824-☆	\$702	B	47	230	Man.	14.0	14.25

TABLE SAW MOTOR

General Specifications:

Totally enclosed fan cooled motor produces extra high breakdown torques for maximum cutting power.

Supplied with 8-foot cord and 115V plug, on/off toggle switch. CW rotation, facing lead end. Replaces Delta motor number 62-042.



SINGLE PHASE • TEFC • RIGID BASE

HP	RPM 60 Hz	NEMA Frame	Catalogue Number	List Price	Disc. Sym.	App. Wgt. (lbs.)	Voltage	Over- load Prot.	F.L. Amps 230V	"C" Dim. (in.)
1½	3450	56	113627	\$640	A	34	115/230	Man.	7.5	12.31

CONTRACTORS' SAW MOTORS

Special Mounting:

Motor pivots on rod for belt tensioning. Totally enclosed fan cooled motor produces extra high breakdown torques for maximum cutting power. Has 1¾" long shaft, ¾" diameter with keyway. Added 54" cord to all motors 1½-4 HP. Catalogue numbers 120925 and 120997 replace Delta UNISAW® motor 83-621 (1½ HP); 120728 and 120998 replace Delta UNISAW® motor 83-651 (3 HP).



SINGLE PHASE • TEFC • DELTA UNISAW® MOUNTING

HP	RPM 60 Hz	NEMA Frame	Catalogue Number	List Price	Disc. Sym.	App. Wgt. (lbs.)	Voltage	Over- load Prot.	F.L. Amps 230V	"C" Dim. (in.)
1½	3450	Spec.	120925	\$594	B	34	115/230	None	10.0	12.69
2	3450	Spec.	120997	596	B	36	115/230	None	11.0	12.69
3	3450	Spec.	120728-☆	728	B	51	230	None	16.0	13.69
4	3450	Spec.	120998-☆	736	B	62	230	None	17.6	13.69

UNISAW® is a registered trademark of Delta International.

CONTRACTORS' POWER TOOL MOTORS

General Specifications:

Open, drip-proof double shaft motors for woodworking applications. With encapsulated, electronic starting switch and double shielded ball bearings to prevent failures caused by sawdust accumulation.

Capacitor start design for high torques and reduced amperage, improved efficiency.

Shaft extension each end, with keyway and flat 90° apart for ease of mounting.

Useable shaft, each end is 1½" long by ½" diameter on 48 frames and 1⅞" long by ⅝" diameter on 56 frame motors.



DOUBLE-SHAFT • SINGLE PHASE DRIP-PROOF • RIGID BASE

HP	RPM 60 Hz	NEMA Frame	Catalogue Number	List Price	Disc. Sym.	App. Wgt. (lbs.)	Voltage	Over- load Prot.	F.L. Amps 230V	"C" Dim. (in.)
1/2	1725	S56Z	101781	\$453	A	17	115/208-230	None	4.4	11.81
3/4	3450	48Z	101782	532	A	17	115/208-230	None	4.8	12.06
1	3450	56Z	114216	539	A	29	115/208-230	None	6.0	12.81

☆ Capacitor start/capacitor run design for reduced amperage, others are capacitor start/induction run.

† Class F insulated.

□ Combination 56 H base motors have mounting holes for NEMA 56 and NEMA 143-ST and a standard NEMA 56 shaft.

♦ These totally enclosed single phase motors have 1.15 Service Factors.

See pages 8-21 for motors of different horsepower, RPM, enclosure, etc., for application on woodworking machinery.



INSTANT REVERSING AND DRYER MOTORS

INSTANT REVERSING MOTORS

PARKING GATES, DOOR OPERATORS & SLIDE GATES

General Specifications:

Specially designed motors for use on "instant-reversing" parking gates, doors, slide gates, or other moderate starting torque instant reversing applications. Capable of frequent reversing service.



Features (For Resilient Base and C Face motors):

Instant "plug-reversing" with simple three-wire connection. Permanent split capacitor design offering low inrush and full load amps. Manual reset overload protector. Starting torque approximately 150% of full load, not suitable for hard to start loads.



Features (Rigid Base):

Capacitor start, induction run motors with solid state, instant reversing switch. Manual reset overload protector.



RESILIENT BASE • SINGLE PHASE • DRIP-PROOF

HP	RPM 60 Hz	NEMA Frame	Catalogue Number	List Price	Disc. Sym.	App. Wgt. (lbs.)	Voltage	Over- load Prot.	F.L. Amps 115V	"C" Dim. (in.)
1/3	1625	S56	M099231	\$313	A	18	115	Man.	4.6	10.31
1/2	1625	S56H	111080	485	A	24	115	Man.	6.6	11.31
		S56	M099234 ¹	330	A	18	115	Man.	4.6	10.31
		S56	M099241 ²	344	A	17	115	Man.	5.8	10.31
3/4	1625	S56H	113642	636	A	35	115	Man.	8.2	13.06
		S56H	111080MD ¹	499	A	24	115	Man.	6.6	11.31

- 1 15 minute duty.
2 Suitable for 50HZ operation

C FACE LESS BASE • SINGLE PHASE • DRIP-PROOF

HP	RPM 60 Hz	NEMA Frame	Catalogue Number	List Price	Disc. Sym.	App. Wgt. (lbs.)	Voltage	Over- load Prot.	F.L. Amps 230V	"C" Dim. (in.)
1/3	1625	S56C	102017	\$213	A	18	115	Man.	4.2	9.99
1/2	1625	S56C	102021	236	A	22	115	Man.	6.1	10.49
		S56C	100705 ☆	223	A	16	115	Man.	5.1	10.24

☆ Motor has same electrical design as 102017, but is rated for intermittent duty.

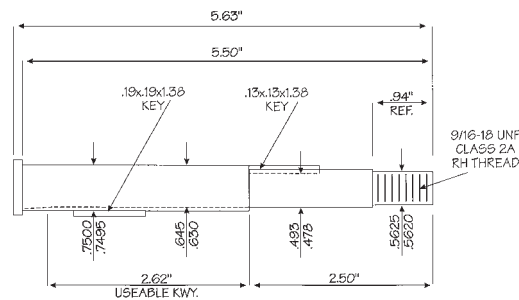
RIGID BASE • SINGLE PHASE • TEFC

HP	RPM 60 Hz	NEMA Frame	Catalogue Number	List Price	Disc. Sym.	App. Wgt. (lbs.)	Voltage	Over- load Prot.	F.L. Amps 230V	"C" Dim. (in.)
3/4	1725	56	114932	\$387	A	30	115/208-230	Man.	5.4	11.32
1	1725	56	114933	405	A	30	115/208-230	Man.	6.4	11.81

DRYER MOTORS • SINGLE PHASE

General Specifications:

Designed as a replacement motor for use in Huebsch brand commercial dryers. Motor has extended and threaded shaft and is mounted on a resilient base for quiet operation. Rotation is counter clockwise facing the lead end. Includes internal relay. Please ensure when ordering that specifications (voltage, enclosure, RPM, shaft dimensions, etc.) are the same as the motor you are replacing.



THREADED SHAFT • OPEN DRIP PROOF SINGLE PHASE • 115/208-230 VOLTS

HP	RPM 60 Hz	NEMA Frame	Catalogue Number	List Price	Disc. Sym.	App. Wgt. (lbs.)	Voltage	Over- load Prot.	F.L. Amps 230V	% F.L. Eff.	"C" Dim. (in.)
1/2	1725	S56Z	100640	\$446	A	24	115/208-230	Man.	4.4	59	14.44

Catalogue numbers in blue are NEW items.

PRESSURE WASHER AND 200-208 VOLT MOTORS



PRESSURE WASHER PUMP MOTORS LOW AMPERAGE DESIGN

Motors specially suited for hot or cold pressure washer applications and other single phase installations requiring minimum starting and running amperages. Capacitor start, capacitor run construction for reduced amperage.



Mechanical Features:

Double shield ball bearings prelubricated with Exxon POLYREX® EM lubricant, having operating temperature range of -20°F to +350°F and special formulation to provide extra long life and moisture resistance. Dynamically balanced rotor and shaft assembly.

Electrical Features:

High efficiency reduced amperage energy saving designs. Stator impregnated with extra heavy varnish system. High temperature copper magnet wire for high overload capacity. Capacitor start/capacitor run design for reduced amperage. Grounding provision in conduit box. Manual reset overload protector protects against automatic resets.

High overload capacities provided by service factor.



RIGID BASE • SINGLE PHASE • DRIP-PROOF

HP	RPM 60 Hz	NEMA Frame	Catalogue Number	List Price	Disc. Sym.	App. Wgt. (lbs.)	Voltage	Over- load Prot.	F.L. Amps 230V	"C" Dim. (in.)	
3/4	1725	S56	101544 ☆	\$426	A	26	115/208-230	Man.	3.8	10.88	
1	1725	56	113630 ☆	457	A	40	115/208-230	Man.	5.3	10.88	
1½	3450	56	113631 ☆	482	A	36	115/208-230	Man.	6.7	11.38	
		56H	113266 ☆□	536	A	42	115/208-230	Man.	6.7	12.38	
2	3450	56	113632 ☆	549	A	38	115/208-230	Man.	8.6	11.38	
		1725	56H	116704 □	425	A	45	115/208-230	Man.	8.6	12.88
		1725	145T	120879	653	B	53	115/208-230	Man.	8.6	13.31
3	3450	56H	116706 □☆†	327	A	39	230	Man.	15.0	12.38	
		1740	184T	131851 ☆	717	B	72	208-230	Man.	13.7	15.22
5	3450	56H	116708 □♣†	420	A	45	230	Man.	20.8	13.34	
		1740	184T	131622 †	897	B	82	208-230	Man.	21.0	14.69

C FACE WITH BASE SINGLE PHASE • DRIP-PROOF

HP	RPM 60 Hz	NEMA Frame	Catalogue Number	List Price	Disc. Sym.	App. Wgt. (lbs.)	Voltage	Over- load Prot.	F.L. Amps 230V	"C" Dim. (in.)
1½	1725	56HC	113700 ☆□	\$527	A	42	115/208-230	Man.	7.2	11.88
2	1725	56HC	113281 ☆□	670	A	47	115/208-230	Man.	8.6	12.88

☆ Capacitor start/capacitor run design for reduced amperage, others are capacitor start/induction run.
□ Combination 56 H base motors have mounting holes for NEMA 56 and NEMA 143-5T and a standard NEMA 56 shaft.

200-208 VOLT/400-416 VOLT • THREE PHASE DRIP-PROOF • RIGID BASE

HP	RPM 60 Hz	NEMA Frame	Catalog Number	List Price	Disc. Sym.	App. Wgt. (lbs.)	Voltage	F.L. Amps 200 V.	% F.L. Eff.	"C" Dim. (Inches)
1	1725
	
1½	1740
2	1740
3	1740
5	1740	184T	131500 †	\$438	A	62	200-208/400-416	15.4	86.0	13.19
7½	1740	S213T	131547 ~	599	A	105	200-208/400-416	22.0	84.0	17.09
10	1740	215T	140004 †	814	A	122	200-208/400-416	32.0	86.5	15.76

200-208 VOLT/400-416 VOLT • THREE PHASE TEFC • RIGID BASE

NEMA Frame	Catalog Number	List Price	Disc. Sym.	App. Wgt. (lbs.)	Voltage	F.L. Amps 200 V.	% F.L. Eff.	"C" Dim. (Inches)
56	110255	\$247	A	30	200-208	4.4	77.0	11.31
143T	120047	348	A	32	200-208	4.4	77.0	12.75
145T	120032	364	A	35	200-208	5.6	80.0	12.75
145T	120034 †	384	A	38	200-208	7.2	81.5	12.75
182T	131465 †	411	A	82	200-208/400-416	10.0	84.0	12.96
184T	131466 †	460	A	63	200-208/400-416	15.4	86.0	13.96
S213T	131467 ♣†	596	A	106	200-208/400-416	23.0	87.0	17.58
215T	140013 †	859	A	168	200-208/400-416	29.6	87.5	18.21

† Class F insulated.
♣ 1.0 Service Factor, Class F insulation.
~ Open fan cooled design.

All motors on this page have a 1.15 Service Factor, Class F insulation

Catalogue numbers in blue are NEW items.