



The heart of
your water system

| | |
|-------------------|-------------------|
| Date: | June 1, 2006 |
| Section: 2 | Page: 3 |
| Cancel & replace: | February 15, 2003 |

PJC INJECTION CENTRIFUGAL CONVERTIBLE PUMP

The PJC injection centrifugal pump with convertible ejector is built to be used in shallow or deep wells. It is ideal for a summer cottage or a country house.

The diffuser (Polycarbonate) and the impeller (Noryl) precisely molded, assure optimum efficiency. The self-lubricated mechanical seal is made of carbon and ceramic for a long life.

The pump housing and the seal plate are made of grey close-grained cast iron. These parts are specially treated with adapted paint to give better resistance to corrosion.



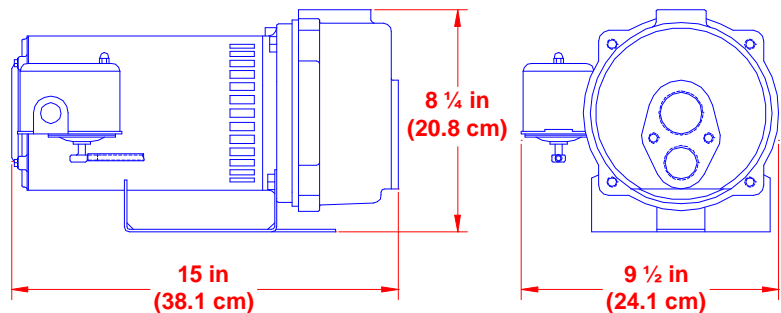
Shallow well
ejector included
+ deep well
venturi



CHARACTERISTICS

- ? Single-phase motor, **square flange**, 3450 RPM, 115/230 Volts, automatic thermal protection and "NUTRIDE" shaft
- ? Rubber seal gasket
- ? Pressure switch set at 30 to 50 lbs/in²
- ? 0 - 100 PSI pressure gauge
- ? Shallow well ejector included
- ? Deep well venturi included
- ? Convertible ejector for application in a deep well

All pumps are tested in factory



| Part number | Pump model | Motor H.P. (kW) | Suction inch (mm) | Discharge inch (mm) | Shipping weight lbs (kg) | Suggested list price |
|-------------|------------|-----------------|-------------------|---------------------|--------------------------|----------------------|
| 325-0050 | PJC-50 | 1/2 (.37) | 1 1/4" (31.8) | 1" (25.4) | 42 (19) | 457.00* |
| 325-0075 | PJC-75 | 3/4 (.55) | | | 42 (19) | 506.00* |
| 325-0100 | PJC-100 | 1.0 (.75) | | | 44 (20) | 604.00* |



The heart of
your water system

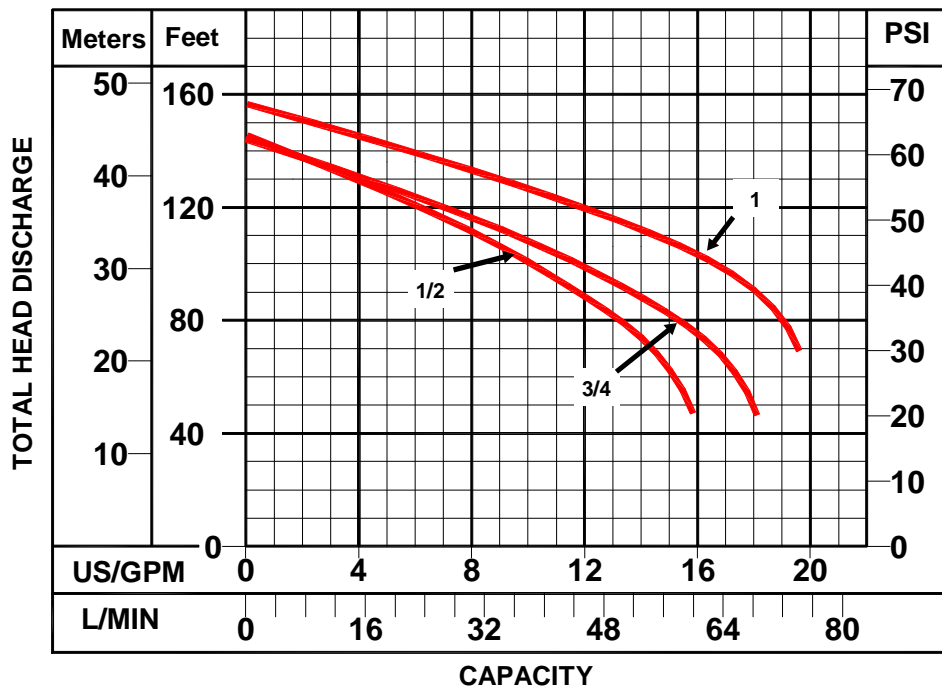
Date: June 1, 2006
Section: 2 Page: 4
Cancel & replace: February 15, 2003

PERFORMANCE CHART

INJECTION CENTRIFUGAL PUMP FOR SHALLOW WELL APPLICATION

PJC MODEL

| MODEL | MOTOR H.P. (kW) | VENTURI & NOZZLE | DISCH. PRESSURE P.S.I. (kPa) | DEPTH OF WATER IN FEET (METERS) | | | | | Shut-off PSI (kPa) |
|---------|-----------------|------------------|------------------------------|--|-------------|------------|------------|------------|--------------------|
| | | | | 5 (1.52) | 10 (3.05) | 15 (4.57) | 20 (6.10) | 25 (7.62) | |
| | | | | CAPACITY - U.S. GALLONS/HOUR (LITERS/HOUR) | | | | | |
| PJC-50 | 1/2 (.37) | 296 | 20 (138) | 910 (3445) | 810 (3066) | 690 (2612) | 565 (2139) | 410 (1552) | 62 (427) |
| | | | 30 (207) | 900 (3407) | 800 (3028) | 685 (2593) | 560 (2120) | 405 (1533) | |
| | | | 40 (276) | 710 (2688) | 625 (2366) | 605 (2290) | 500 (1892) | 345 (1306) | |
| | | | 50 (345) | 460 (1741) | 400 (1514) | 330 (1249) | 210 (795) | 115 (435) | |
| PJC-75 | 3/4 (.55) | 326 | 20 (138) | 1050 (3975) | 945 (3577) | 830 (3142) | 690 (2612) | 520 (1968) | 61 (420) |
| | | | 30 (207) | 1040 (3937) | 935 (3539) | 825 (3123) | 685 (2593) | 515 (1949) | |
| | | | 40 (276) | 830 (3142) | 790 (2990) | 740 (2801) | 620 (2347) | 465 (1760) | |
| | | | 50 (345) | 520 (1968) | 480 (1817) | 400 (1514) | 360 (1363) | 180 (681) | |
| PJC-100 | 1 (.75) | 346 | 20 (138) | 1150 (4353) | 1035 (3918) | 900 (3407) | 750 (2839) | 560 (2120) | 67 (462) |
| | | | 30 (207) | 1140 (4315) | 1025 (3880) | 895 (3388) | 740 (2801) | 555 (2101) | |
| | | | 40 (276) | 1130 (4278) | 1020 (3861) | 890 (3369) | 735 (2782) | 550 (2082) | |
| | | | 50 (345) | 815 (3085) | 735 (2782) | 610 (2309) | 475 (1798) | 245 (927) | |
| | | | 60 (414) | 410 (1552) | 370 (1401) | 310 (1173) | 240 (908) | 120 (454) | |





The heart of
your water system

| | |
|-------------------|-------------------|
| Date: | June 1, 2006 |
| Section: 2 | Page: 5 |
| Cancel & replace: | February 14, 2005 |

PERFORMANCE CHART

DEEP WELL APPLICATION - PJC MODEL

| MODEL | MOTOR H.P. (kW) | VENTURI & NOZZLE | DISCH. PRESSURE P.S.I. (kPa) | DEPTH OF WATER IN FEET (METERS) | | | | | | | |
|---------|-----------------------|------------------------|------------------------------------|--|---------------|---------------|---------------|---------------|--------------|--------------|---------------|
| | | | | 30 (9.14) | 40 (12.2) | 50 (15.2) | 60 (18.3) | 70 (21.3) | 80 (24.4) | 90 (27.4) | 100 (30.5) |
| | | | | CAPACITY - U.S. GALLONS/HOUR (LITERS/HOUR) | | | | | | | |
| PJC-50 | 1/2 (.37) | 245 | 20 / 40 (138 / 276) | 580 (2192) | 510 (1928) | 450 (1701) | | | | | |
| | | 235 | 20 / 40 (138 / 276) | | 380 (1436) | 320 (1210) | 270 (1021) | 220 (832) | | | |
| PJC-75 | 3/4 (.55) | 234 | 20 / 40 (138 / 276) | 640 (2419) | 580 (2192) | 510 (1928) | 450 (1701) | | | | |
| | | 226 | 20 / 40 (138 / 276) | | 430 (1625) | 360 (1360) | 320 (1210) | 290 (1096) | 260 (983) | | |
| PJC-100 | 1 (.75) | 234 | 20 / 40 (138 / 276) | 760 (2873) | 710 (2684) | 630 (2381) | 510 (1928) | 390 (1474) | | | |
| | | 226 | 20 / 40 (138 / 276) | | 470 (1777) | 440 (1663) | 420 (1588) | 380 (1436) | 260 (983) | 220 (832) | 150 (567) |

SHALLOW WELL EJECTOR KITS

(included: ejector body, venturi tube, nozzle, ejector gasket, bolts and washers)

| Part number | Model | H.P. | Diameter | | Suggested list price |
|-------------|------------|------|----------|--------|----------------------|
| | | | Venturi | Nozzle | |
| 325-0250 | PJC-7-50S | 1/2 | 29/64 | 16/64 | 54.00 |
| 325-0275 | PJC-7-75S | 3/4 | 32/64 | 16/64 | 54.00 |
| 325-0300 | PJC-7-100S | 1 | 34/64 | 16/64 | 54.00 |

DEEP WELL EJECTOR KITS

(included: ejector body, venturi tube and nozzle)

| Part number | Model | Diameter | | Suggested list price |
|-------------|-------------|----------|--------|----------------------|
| | | Venturi | Nozzle | |
| 513-0200 | AJ37 FP 235 | 23/64 | 15/64 | 66.00 |
| 513-0210 | AJ37 FP 226 | 22/64 | 16/64 | 66.00 |
| 513-0230 | AJ37 FP 245 | 24/64 | 15/64 | 66.00 |
| 513-0250 | AJ37 FP 234 | 23/64 | 14/64 | 66.00 |

2" SINGLE PIPE JET PACKAGE

| Part number | Model | Diameter | | Setting range | Suggested list price |
|-------------|-------|----------|--------|---------------|----------------------|
| | | Venturi | Nozzle | | |
| 513-0310 | SP235 | 23/64 | 15/64 | 30-70' | 109.00 |
| 513-0320 | SP226 | 22/64 | 16/64 | 40-80' | 109.00 |
| 513-0330 | SP225 | 22/64 | 15/64 | 50-100' | 109.00 |

2" CASING ADAPTER

| Part number | Model | Suggested list price |
|-------------|----------------------|----------------------|
| 513-0300 | Adapteur de puits 2" | 81.00 |

